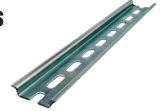


10 AMP PILOT CONTROL RELAY

RIBRL1S-NS

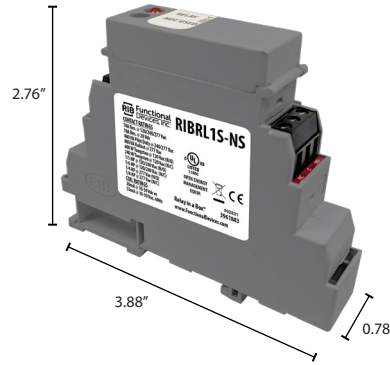
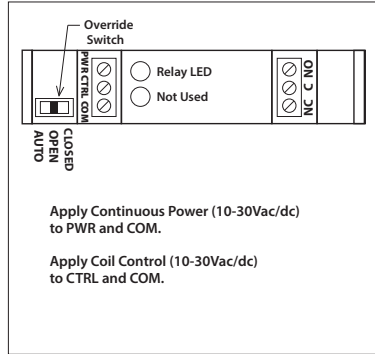
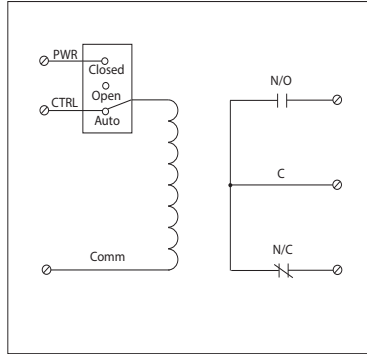
DIN Rail Mount Relay, 10 Amp SPDT + Override, 10-30 Vac/dc Coil, No Socket Non-Pluggable Relay



ADIN35
DIN Rail Perforated
35mm x 7.5mm x 1m



ADIN35ES
Pair of End Stops
for 35mm DIN Rail



SPECIFICATIONS

Relays & Contact Type: One (1) SPDT Continuous Duty Coil
Expected Relay Life: 10 million cycles minimum mechanical
Operating Temperature: -30 to 140° F
Humidity Range: 5 to 95% (noncondensing)
Operate Time: 20ms
Relay Status: LED On = Activated
Dimensions: 2.76"H x 3.88"W x 0.78"D
Housing Detail: See **Housing K** in housing guide for dimensions
Origin: Made of US and non-US parts
Terminal Strip: 14-22 AWG wire
Approvals: UL Listed, UL916, C-UL, CE, RoHS
Gold Flash: Yes
Accessories: ADIN35, ADIN35ES

Contact Ratings:
 10 Amp Resistive @ 277 Vac
 10 Amp Resistive @ 28 Vdc
 480 VA Pilot Duty @ 240/277 Vac
 480 VA Ballast @ 277 Vac
Not rated for Electronic Ballast
 600 Watt Tungsten @ 120 Vac (N/O)
 240 Watt Tungsten @ 120 Vac (N/C)
 1/3 HP @ 120-240 Vac (N/O)
 1/6 HP @ 120-240 Vac (N/C)
 1/4 HP @ 277 Vac (N/O)
 1/8 HP @ 277 Vac (N/C)

Coil Current:
 33 mA @ 10 Vac 13 mA @ 10 Vdc
 35 mA @ 12 Vac 15 mA @ 12 Vdc
 46 mA @ 24 Vac 18 mA @ 24 Vdc
 55 mA @ 30 Vac 20 mA @ 30 Vdc

Power and Control Voltage:
 10-30 Vac/dc ; 50-60 Hz
 Drop Out = 2.1 Vac / 2.8 Vdc
 Pull In = 9 Vac / 10 Vdc

Notes:
Models ADIN35 and ADIN35ES sold separately.